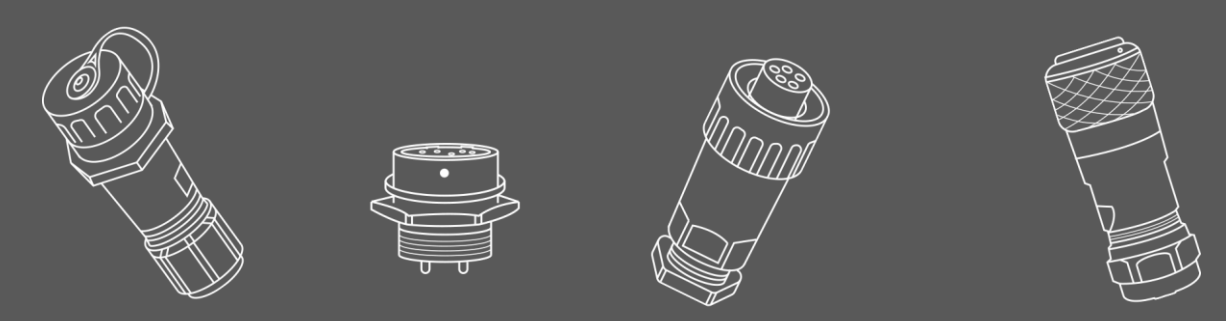





WEiPU[®] Connector

Interconnect Solutions for you



About Us

Versatile connection solutions for security-relevant technology areas: Whether for the transmission of power, signals, data - WEiPU Connectors always offers the ideal interfaces when quality and absolute reliability are required. When innovative applications call for new solutions in connection technology: We implement the optimal interconnect solution according to your special requirements - on request as a complete system from a single source including assembly. As a specialist in the development and manufacture of plug connections and plug devices, WEiPU Connectors bundles all important competencies under one roof.

Delivery range according to application

Stable circular connectors for industrial automation

Waterproof connectors for lighting technology & entertainment

M23 connector for signal & power servomotors

Push-pull connectors for test & measurement

CEE sockets 16A, 32A, 63A, 125A and also for SCHUKO standard

Cable gland and protection caps

Cable assembly & over molding of our connectors

Cable components, equipment boxes, installation products

Waterproof Ethernet CAT5a connectors

Key Facts

Established in 1996

Revenue > 45 Million USD

Sole original manufacturer of Connector & devices

More than 3,000 customers worldwide

More than 500 employees worldwide

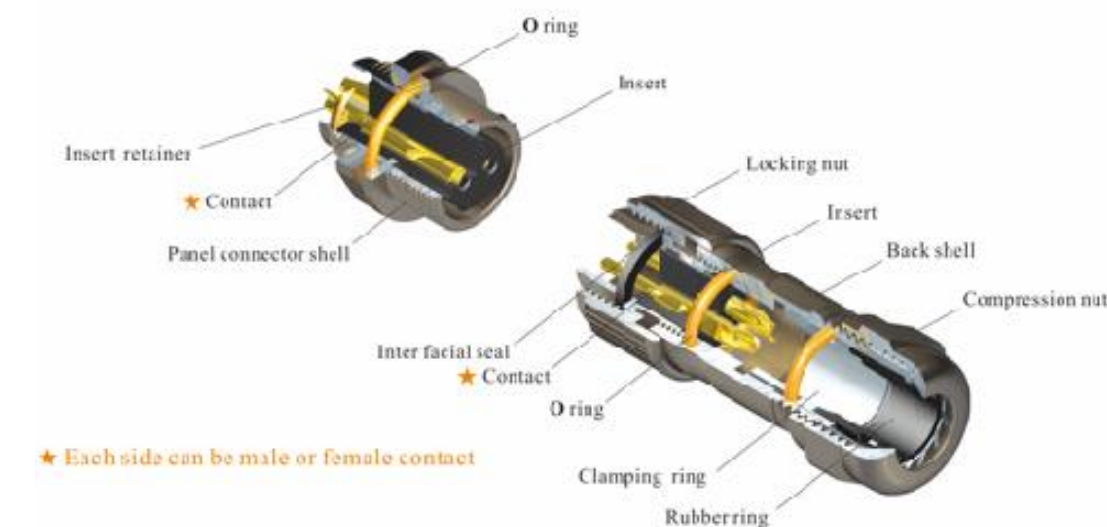
Office, production & storage space > 20,000 square meters

Reliability in these technology areas

Our customers have trusted us in interconnect projects for 20 years and, together with our team of experienced application specialists, have turned their first ideas and complex projects into functioning solutions.

WEiPU Connector is also active in your fields of application:

- Renewable energy
- Energy Storage
- Lighting technology
- Security
- Traffic engineering
- Railway technology
- Installation technology
- Industry-Automation
- Geophysics
- Test & Measurement
- Medical technology
- Entertainment
- Mechanical engineering
- E-mobility
- Heavy Equipment
- Agriculture
- Consumer



Efficiency & quality

We guarantee fast and comprehensive advice and offer you short design-in processes. Our deliveries are made to:

• ISO 9001



SA6/SA8 Series
Mini set Push-Pull light



- * Rated voltage 30/125VAC
- * Test voltage 500/1000VAC
- * 3A or 5A versions
- * 2,3,4,5, 6, 8 pole
- * Degree of protection IP67
- * Housing material: Anodized aluminum
- * Different colors: Silver, black, red / blue / green
- * Fast plugging and unplugging
- * Blind Mating, light & easy to use
- * Gold-plated solder contacts
- * For cable diameters up to 5mm
- * Temperature range: -40 ° C to + 85 ° C
- * 500 mating cycles
- * Very attractive price for a push-pull connector

SA10-SA28 Series
Push-Pull light



- * Rated voltage 125VAC-500VAC
- * Test voltage up to 1500VAC
- * 3A -60A versions
- * up to 35 contacts
- * protection class IP67
- * Housing material: Anodized aluminum
- * Different colors: Silver, black, red / blue / green
- * Fast plugging and unplugging
- * Blind Mating, light & easy to use
- * Gold-plated solder, screw or crimp contacts
- * For cable diameters up to 16mm
- * Temperature range: -40 ° C to + 85 ° C
- * 500 mating cycles

SF6B/SF8B Series
Mini set Push-Pull Brass made



- * Rated voltage 30/125VAC
- * Test voltage 500/1000VAC
- * 3A or 5A versions
- * 2,3,4,5, 6, 8 pole
- * Degree of protection IP67
- * Housing material: Stable brass, chromated
- * Fast plugging and unplugging
- * Blind Mating, easy to use
- * Gold-plated solder contacts
- * For cable diameters up to 5mm
- * Temperature range: -40 ° C to + 85 ° C
- * 500 mating cycles
- * Very attractive price for a push-pull connector

SF10-SF20 Series
Push-Pull Brass made



- * Rated voltage 125VAC-500VAC
- * Test voltage up to 1500VAC
- * 3A -25A versions
- * up to 15 contacts
- * protection class IP67
- * Housing material: Stable brass, chromated
- * Fast plugging and unplugging
- * Blind Mating, easy to use
- * Gold-plated solder, screw or crimp contacts
- * For cable diameters up to 12mm
- * Temperature range: -40 ° C to + 85 ° C
- * 500 mating cycles

WA22 Series
Interchangeable



- * Rated voltage 250VAC & 400 VAC
- * 10A or 16A versions
- * Degree of protection IP67
- * Leading earthing contact
- * Number of poles 3 + PE screw / 6 + PE solder
- * Resistant nylon66
- * housing Fire protection class UL94VO
- * Gold-plated contacts
- * For cable diameters up to 12mm
- * 90 ° degree backshell
- * Long and short version of plug
- * Temperature range: -40 ° C to + 85 ° C
- * 500 mating cycles

SP11/13/17/21/29 Series
Threaded



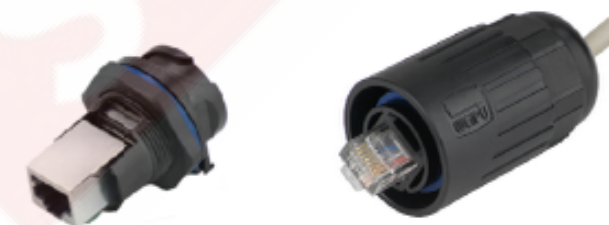
- * Rated voltage up to 500VAC
- * 3A-60A versions
- * 2-35 contacts
- * Protection class IP68, 2.0m water depth for 1 week.
- * Extensive housing shapes & types.
- * Resistant nylon66 housing
- * fire protection class UL94VO
- * Gold-plated contacts for solder & crimp & screw connection For cable diameters of 4-16mm
- * temperature range: -40 ° C to + 85 ° C
- * 500 mating cycles
- * Insulating body made of PPS, high temperature resistant up to 260 ° C

SY11/13/17/21/29 Series
Bayonet



- * Rated voltage up to 500VAC
- * 3A-60A versions
- * 2-35 contacts
- * Protection class IP67
- * Comprehensive housing shapes & types
- * Resistant nylon66 housing
- * Fire protection class UL94VO
- * Gold-plated contacts for soldering & crimp & screw connection For cable diameters of 4-16mm
- * Temperature range: -40 ° C to + 85 ° C
- * 500 mating cycles
- * Insulating body made of PPS, high temperature resistant up to 260 ° C

RJ45F
Ethernet IP67



- * Degree of protection 67
- * Can be assembled in the field without tools.
- * Bayonet locking
- * For Ethernet Class D / CAT5E & Class E / CAT6 (10BaseT, 100BaseTX, 1000BaseT)
- * Resistant nylon66
- * Housing Fire protection class UL94VO
- * Temperature range: -40 ° C to 85 ° C
- * For cable diameters 5-6mm, 6-7mm,
- * temperature range: -40 ° C to + 85 ° C
- * 500 mating cycles

WL52 Series
(SPX 419 Standard)



- * Rated voltage up to 700VDC, 500VAC
- * 3A-25A versions
- * up to 19 contacts
- * protection class IP66 / 67
- * Extensive housing shapes & types, color coding: black, blue, green, orange, purple, yellow
- * Fire protection class UL94VO
- * Gold-plated contacts for solder connection
- * For cable diameter of 30mm
- * PG29-M40 adapter
- * Temperature range: -40 ° C to + 85 ° C
- * 500 mating cycles
- * Threaded coupling

WAC3 Series
(XLR-Standard)



- * Rated voltage up to 250VAC
- * 20A version
- * Degree of protection IP65
- * Resistant nylon PA66
- * Housing fire protection class UL94VO
- * Silver-plated brass contacts
- * For cable diameters up to 13mm
- * Different color coding
- * Temperature range: -40 ° C to + 85 ° C
- * 1000 mating cycles
- * Insulating body made of PPS
- * high temperature resistant up to 260 ° C

**WD28 Series
Threaded**



- * Rated voltage up to 500VAC
- * Test voltage up to 1500VAC
- * 50A/25A, 10A versions
- * High-current connectors
- * Mixed-pole arrangements, 4 or 15-pole
- * Protection class up to IP65
- * Housing material: Zinc Alloy with black nickel plating
- * Dimensions according to Mil-C-5015
- * Gold-plated brass solder contacts
- * Cable diameters up to 13.6mm
- * Temperature range: -40 ° C to + 85 ° C
- * Insert up to 260 ° C
- * 500 mating cycles

**WS Series 16-55 Series
Threaded**



- * Rated voltage up to 500VAC
- * Test voltage up to 1500VAC
- * 5A, 10A, 15A, 25A, 50A, 100A, 150A versions
- * High-current connector with mixed pole configuration
- * 8 housing sizes
- * up to 61 contacts
- * Protection class: Only for indoor use
- * Housing material: Zinc Alloy chromated
- * Dimensions according to Mil-C-5015
- * Gold-plated brass solder, screw or crimp contacts
- * For cable diameters up to M60 screw connection
- * Temperature range: -40 ° C to + 85 ° C,
- * 500 mating cycles

**WF Series 16-55 Series
Threaded**



- * Rated voltage up to 500VAC
- * Test voltage up to 1500VAC
- * 5A, 10A, 15A, 25A, 50A, 100A, 150A versions
- * High-current connector with mixed pole configuration
- * 8 housing sizes, up to 61 contacts
- * Degree of protection: IP55, IP67, depending on the housing shape and back housing
- * Housing material: Zinc Alloy chromated
- * Dimensions according to Mil-C-5015
- * Gold-plated brass solder, screw or crimp contacts
- * For cable diameters up to M60 screw connection
- * Temperature range: -40 ° C to + 85 ° C,
- * 500 mating cycles

**WY Series 16-55 Series
Bayonet-Heavy Duty**



- * Rated voltage up to 500VAC
- * Test voltage up to 1500VAC
- * 5A, 10A, 15A, 25A, 50A, 100A, 150A versions
- * High-current connector with mixed pole configuration
- * 8 housing sizes, up to 61 contacts
- * Degree of protection: IP55, IP67, depending on the housing shape and back housing
- * Housing material: Zinc Alloy chromated
- * Dimensions according to Mil-C-5015
- * Gold-plated brass solder, screw or crimp contacts
- * For cable diameters up to M60 screw connection
- * Temperature range: -40 ° C to + 85 ° C,
- * 500 mating cycles
- * Anti-vibration

**WP20 Series
Bayonet**



- * Rated voltage up to 500VAC
- * Test voltage up to 1500VAC
- * Up to 30A versions
- * Mixed pole arrangements 2-15 contacts
- * Degree of protection IP44
- * Housing material: nylon 66 and zinc alloy Practical
- * Device box with protective cover
- * Dimensions according to Mil-C-5015
- * Gold-plated brass solder, screw or crimp contacts for cable diameters up to 12mm
- * Temperature range: -40 ° C to + 85 ° C
- * Insert up to 260 ° C
- * 500 mating cycles

**ST12 Series
Schraub**



- * Rated voltage up to 250VAC
- * Test voltage up to 1500VAC
- * 3A-5A-13A versions
- * 2-9 contacts
- * Protection class IP67
- * Housing material: Zinc Alloy with black nickel plating
- * Fire protection class UL94VO
- * Gold-plated contacts for solder connection
- * For cable diameters of 5-8mm
- * Temperature range: -40 ° C to + 85 ° C
- * 500 mating cycles
- * Rear mount/front mount/square flange socket

M23 Series Power & Signal



- * Rated voltage up to 600VAC
- * 8A-28A versions, up to 19 contacts
- * Degree of protection IP67
- * Comprehensive housing shapes & types & color coding
- * Resistant PA66 housing
- * Fire protection class UL94VO
- * Gold-plated contacts for crimp connection
- * For cable diameters of 4-17mm
- * 90 ° degree backshell
- * Temperature range: -40 ° C to + 125 ° C
- * 1000 mating cycles

**IECEE Plugs*
16A | 32A | 63A | 125A**



Coming soon!

**IECEE Receptacles*
16A, 32A, 63A, 125A**



Coming soon!

**WH400A*
400A**



Coming soon!



New production plants & office buildings built in 2016

China | Guangdong



A M S T R O N

 WEiPU[®] Connector

About us

WEIPU Connector is an original manufacturer of electrical connectors and IECEE plugs and sockets and accessories and was founded in 1996 in Guangdong China.

For more than 20 years we have been concentrating on connection solutions in the technological areas of industrial automation, entertainment, heavy equipment, lighting and installation technology, renewable energies, mechanical engineering and for test and measurement systems.

Our team now consists of over 500 employees, which is made up of the respective application specialists for interconnect and mechatronic as well as CAD construction engineers.

Our unique selling points and core competencies mainly include waterproof electrical connectors and plugs and sockets at competitive prices - complex mechatronic services as well as customer-specific new developments for our customers.

This synergy from the areas of connector expertise and mechatronic competence makes us a particularly strong partner in the holistic implementation and support of new projects.



 **WEiPU[®] Connector**